

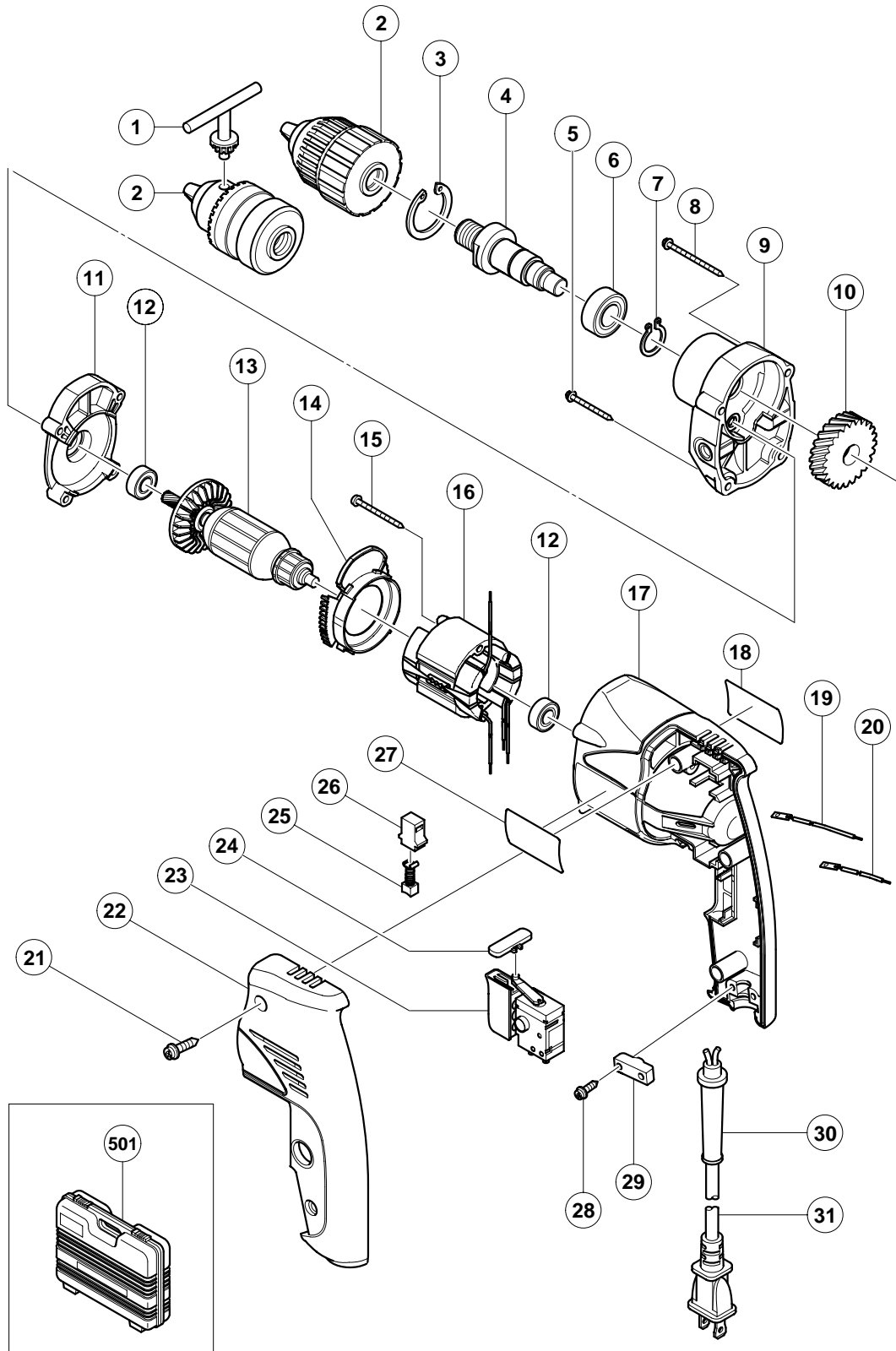
ELECTRIC TOOL PARTS LIST

■ DRILL

2002 • 12 • 10

Model D 10VH

(E1)



PARTS

D 10VH

ITEM NO.	CODE NO.	DESCRIPTION	NO. USED	REMARKS	
1	980-057	CHUCK WRENCH 10TL2	1		
* 2	950-292	DRILL CHUCK 10TLRA	1	INCLUD. 1	
* 2	321-611	DRILL CHUCK 10TLRH-N (W/O CHUCK WRENCH)	1		
3	948-001	RETAINING RING FOR D32 HOLE	1		
4	321-626	SPINDLE	1		
5	305-490	TAPPING SCREW (W/FLANGE) D4X30 (BLACK)	2		
6	600-2VV	BALL BEARING 6002VVCMP2L	1		
7	939-544	RETAINING RING FOR D15 SHAFT (10 PCS.)	1		
8	301-815	TAPPING SCREW (W/FLANGE) D4X45	2		
9	321-625	GEAR COVER	1		
10	321-627	GEAR	1		
11	321-624	INNER COVER	1		
12	608-VVM	BALL BEARING 608VVC2PS2L	2		
13	360-597U	ARMATURE ASS'Y 120V	1	INCLUD. 12	
14	321-623	FAN GUIDE	1		
15	991-031	TAPPING SCREW D4X45	2		
16	340-548D	STATOR 120V	1		
17	321-622	HOUSING	1		
18		NAME PLATE	1		
19	321-630	INTERNAL WIRE (BROWN) 100L	1		
20	321-631	INTERNAL WIRE (BLUE) 55L	1		
21	301-653	TAPPING SCREW (W/FLANGE) D4X20 (BLACK)	3		
22	321-629	HANDLE COVER	1		
23	321-632	SWITCH (1P PILLAR TYPE)	1		
24	321-628	PUSHING BUTTON	1		
25	999-041	CARBON BRUSH (1 PAIR)	2		
26	955-203	BRUSH HOLDER	2		
27		HITACHI LABEL	1		
28	984-750	TAPPING SCREW (W/FLANGE) D4X16	2		
29	937-631	CORD CLIP	1		
30	953-327	CORD ARMOR D8.8	1		
31	500-240Z	CORD	1		

